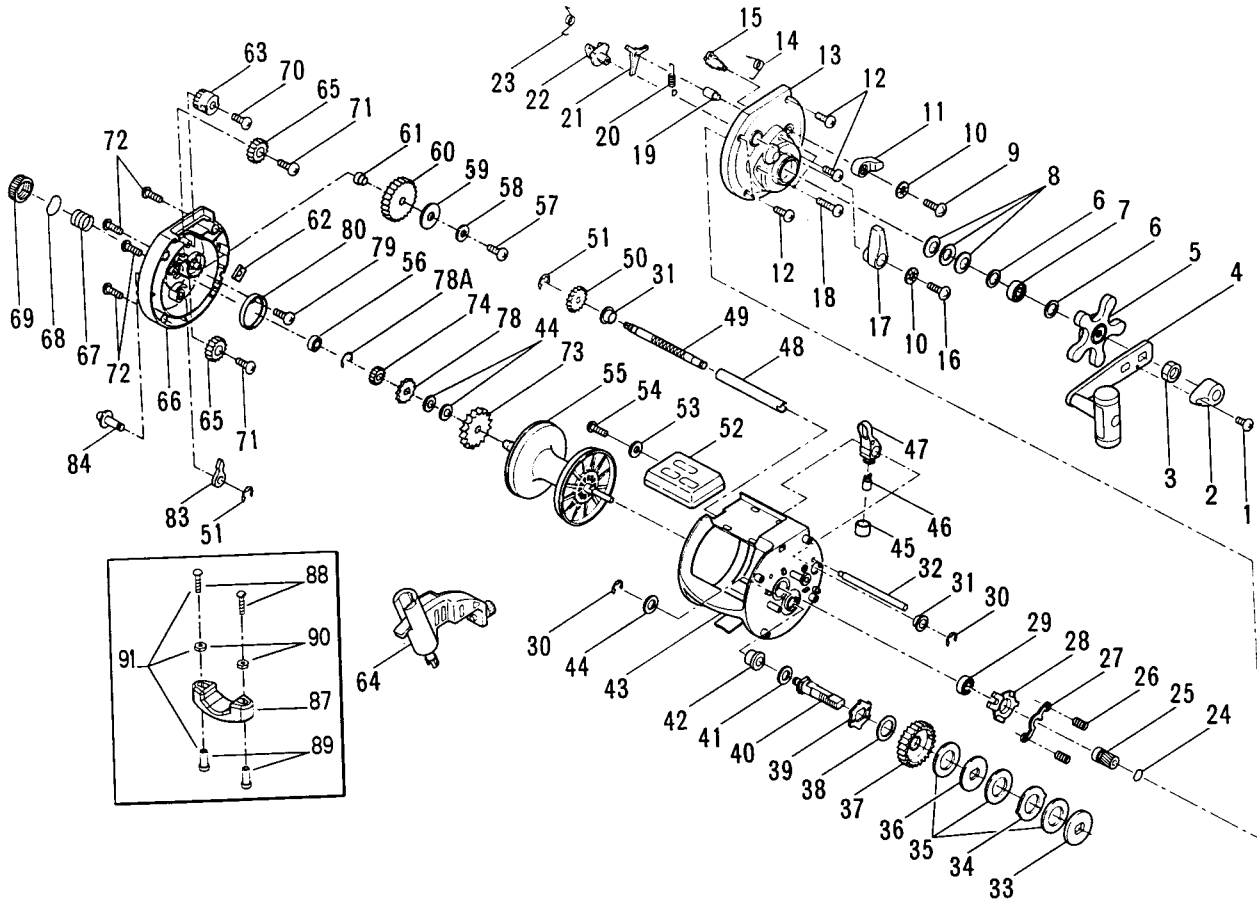




MODEL 895LC

PARTS LIST FOR MODEL 895LC



KEY NO.	PART NO.	DESCRIPTION
1	32-875	Handle Lock Screw
2	110A-895	Handle Nut Cap
3	23-895	Handle Nut
4	24-895	Handle Assembly
5	10-895	Drag Star Assembly
6	9-895	Star Washer (2)
7	26-895	R.S. Plate Bearing
8	8A-895	Disc Spring (3)
9	22-895	Eccentric Screw
10	22A-875	Eccentric Washer (2)
11	21A-895	Direct Drive Lever
12	39A-875	Mounting Screw (3)
13	1-895	R.S. Plate
14	104-895	Direct Drive Spring
15	19C-895	Direct Drive Eccentric
16	22-875	Eccentric Screw
17	21-895	Eccentric Lever
18	39B-895	Mounting Screw
19	158-895	Ratchet Dog Pin
20	14-895	Ratchet Dog Spring
21	15-895	Ratchet Dog
22	19-895	Eccentric
23	20-895	Eccentric Spring
24	40-895	Thrust Washer
25	13-895	Pinion Gear Assembly
26	18-875	Clutch Spring (2)
27	12-895	Pinion Yoke
28	11-895	Eccentric Jack
29	55-895	R.S. Spool Bearing
30	98D-895	Retaining Ring (2)
31	43-895	Worm Bearing (2)
32	58-895	Line Guide Post
33	86-895	Metal Drag Washer
34	7-895	Ear Drag Washer
35	6-895	Drag Washer HT-100 (3)
36	86A-895	Metal Drag Washer
37	5-895	Main Gear
38	4-895	Fibre Washer
39	98R-895	Ratchet Assembly
40	98S-895	Gear Stud
41	98A-895	Gear Stud Washer
42	98B-895	Gear Stud Bearing
43	183-895	Frame Assembly
44	81A-875	Spacing Washer (3)
45	48-875	Pawl Cover Screw
46	47-875	Pawl
47	46-875	Line Guide
48	50-895	Worm Shaft Shield
49	42-895	Worm Shaft
50	45-895	Worm Gear
51	42B-875	Retaining Ring (2)
*52	303-895	Control Box Asm. (Feet)
*52	303-895M	Control Box Asm. (Metric)
53	304-895	Flat Washer
54	305-875	Control Box Screw
55	29L-895	Spool Assembly
56	55A-875	L.S. Spool Bearing
57	39B-875	Mounting Screw
58	304A-875	Flat Washer
59	64A-895	Idler Spacer
60	64-895	Idler Gear
61	64B-895	Idler Gear Bushing
62	96-875	Line Storage Clip
63	306-895	Control Box Gear
64	302-875	Bogey Wheel Assembly
65	306A-895	Idler Gear (2)
66	27-895	L.S. Plate
67	41-875	L.S. Bearing Spring
68	41C-875	Thrust Washer
69	40A-875	L.S. Bearing Cap

KEY NO.	PART NO.	DESCRIPTION
70	39C-895	Mounting Screw
71	22-875	Mounting Screw (2)
72	39-895	Mounting Screw (4)
73	66A-895	Spool Gear A
74	66B-895	Spool Gear B
78	81-875	Click Ratchet
78A	67-875	Retaining Ring
79	63A-875	Mounting Screw
80	62-875	Click Spring
83	35-875	Click Tongue
84	36-895	Click Button
87	33-113	Rod Clamp
88	34-45	Clamp Screws (2)
89	149-45	Rod Clamp Nut (2)
90	149-200	Hex Nut (2)
91	34C-45	Rod Clamp Screw w/Nuts

*Order Control Box in "Feet" or "Metric" according to model.