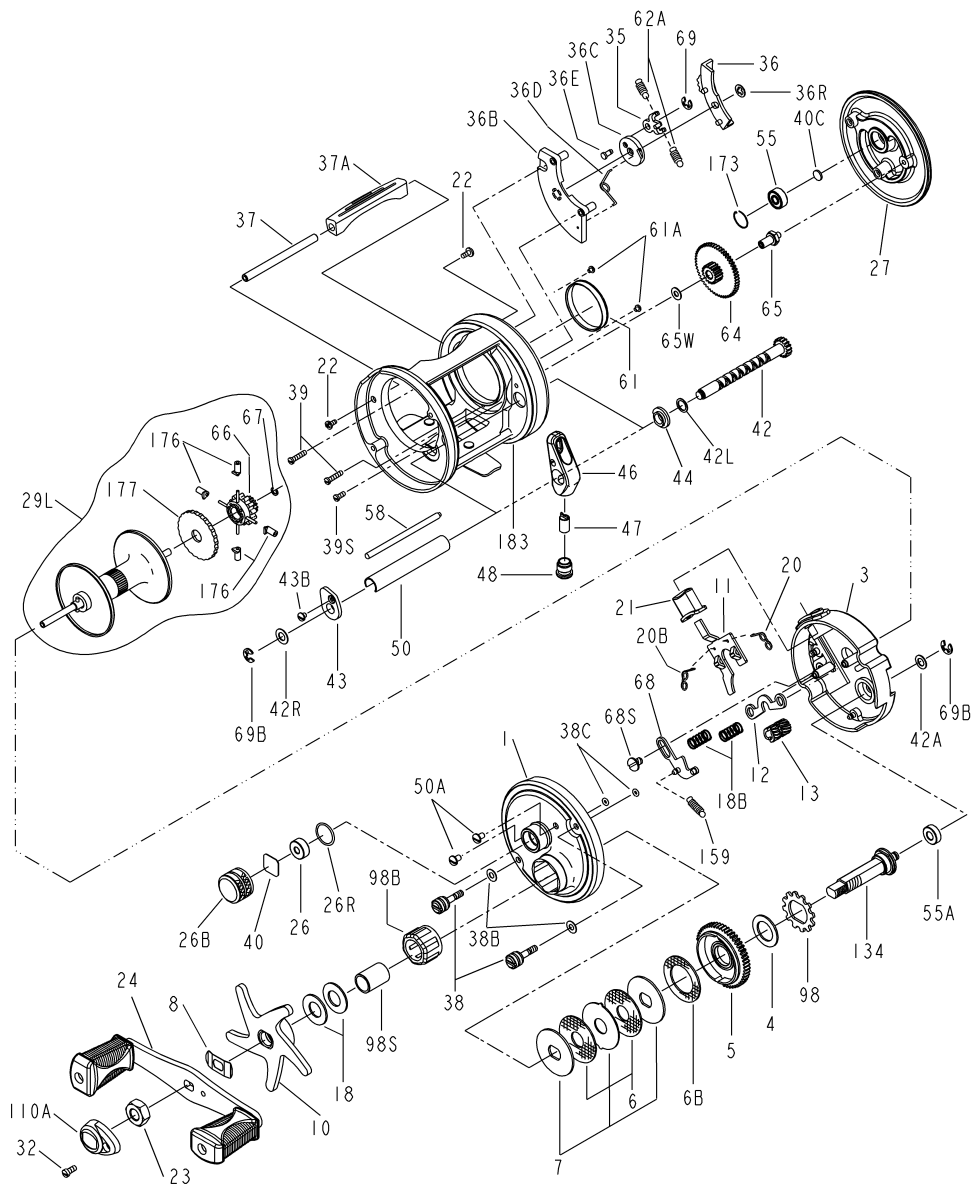




PARTS LIST FOR MODEL 955 AND 965



KEY NO.	DESCRIPTION	MODEL 955 PART NO.	MODEL 965 PART NO.
1	Right Side Plate	001N965	001N965
3	Inner R.S. Plate	003 965	003 965
4	Fiber Washer	004 155	004 155
5	Main Gear	005N965	005N965
6	Drag Washer HT-100 (2 req.)	006 965	006 965
6B	Drag Washer HT-100	006B965	006B965

KEY NO.	DESCRIPTION	MODEL 955 PART NO.	MODEL 965 PART NO.
7	Metal Drag Washer (Set of 3)	007C965	007C965
8	Star Tension Washer	008 965	008 965
10	Star Drag	010 965	010 965
11	Eccentric Jack	011 965	011 965
12	Yoke	012 965	012 965
13	Pinion	013N965	013N965

KEY NO.	DESCRIPTION	MODEL 955 PART NO.	MODEL 965 PART NO.
18	Disc Clutch Spring (2 req.)	018 965	018 965
18B	Yoke Spring (2 req.)	018B965	018B965
20	R.S. Jack Spring	020 965	020 965
20B	L.S. Jack Spring	020B965	020B965
21	Clutch Release Button	021 965	021 965
22	Post Screw (2 req.)	050 716	050 716
23	Handle Nut	023 965	023 965
24	Handle Assembly	024B965	024B965
26	R.S. Plate Bushing	026 965	026 965
26B	Spool Tension Cap	026B965	026B965
26R	Tension Cap 'O' Ring	026R965	026R965
27	Left Side Plate	027 965	027 965
29L	Spool Assembly	029L955	029L965
32	Handle Cap Screw	032 015	032 015
35	Click Tongue	035 965	035 965
36	Click Button	036 965	036 965
36B	Click Housing	036B965	036B965
36C	Click Wheel	036C965	036C965
36D	Click Wheel Spring	036D965	036D965
36E	Click Tongue Pin	036E965	036E965
36R	Retaining Ring	036R965	036R965
37	Thumb Bar Post	037 955	037 965
37A	Thumb Bar	037A955	037A965
38	Take-Apart Screw (2 req.)	038N965	038N965
38B	Side Plate Washer (2 req.)	038BN965	038BN965
38C	Screw 'O' Ring (2 req.)	038CN965	038CN965
39	L.S. Plate Screw (2 req.)	039 965	039 965
39S	L.S. Plate Short Screw	039S965	039S965
40	Metal Thrust Washer	040C965	040C965
40C	Metal Thrust Washer	040C310	040C310
42	Worm Shaft	042 955	042M965
42A	Metal Washer	042R965	042R965
42L	L.S. Worm Shaft Washer	042L965	042L965
42R	R.S. Worm Shaft Washer	042R965	042R965
43	R.S. Worm Shaft Bushing	043 965	043 965
43B	Worm Bushing Screw	043B965	043B965
44	L.S. Worm Shaft Bushing	044 965	044 965
46	Line Guide	046 965	046 975
47	Pawl	047 975	047 975
48	Pawl Cover Screw	048 965	048 965
50	Worm Shield	050 955	050 965
50A	R.S. Plate Screw (2 req.)	050 716	050 716
55	Ball Bearing	055 113H	055 113H
55A	Gear Stud Bushing	055A965	055A965
58	Line Guide Post	058 955	058 965
61	Brake Drum	061 965	061 965
61A	Brake Drum Screw (2 req.)	043B965	043B965
62A	Click Spring (2 req.)	062A965	062A965
64	Idler Gear	064M965	064M965
65	Idler Gear Pin	065 965	065 965
65W	Idler Gear Washer	065W965	065W965
66	Spool Gear Click Ratchet	066M965	066M965
67	Lock Ring	067 016S	067 016S
68	Shift Arm	068 965	068 965
68S	Shift Arm Screw	068S965	068S965
69	Retaining Ring	069B050	069B050
69B	Retaining Ring (2 req.)	069B600	069B600
98	Trip Ratchet	098 965	098 965
98B	Roller Bearing	098B965	098B965
98S	Bearing Clutch Shaft	098S965	098S965
110A	Handle Nut Cap	110A555	110A555
134	Gear Stud	134 965	134 965
159	Shift Arm Spring	159 965	159 965
173	L.S. Bearing Retainer	173 965	173 965
176	Anti-Backlash Brakes (4 req.)	176 965	176 965
177	Brake Selection Knob	177 965	177 965
183	Frame Assembly	183 955	183N965